

Current part is item (7) on diagram. Available at www.oshkosequipment.com

(1) SMR Code	(2) Federal Stock Number	(3) DESCRIPTION	(4) UNIT	(5) Qty	(6) 30-day DS maint	(7) 30-day GS maint	(8) 1-yr Depot	(9) Illustration	(10) Figure	(b) Item No.				
Code	Stock Number		of meas	inc. in Unit	allowance	allowance	alw	maint	per equip	100 per (a) (b) Figure Item No.				
Reference Number & Mfr. Code	Usable On Code		(a)	(b)	(c)	(a)	(b)	(c)	gcy					
1201-HAND BRAKES-CONTINUED														
P-O	2530-740-9372	CONNECTING LINK,RIGID: CABLE CLAMP 7409372 (19207)	A	EA	3	*	*	*	*	*	3	5	77	9
P-O	5340-282-7521	CLAMP,LOOP: PARKING BRAKE CABLE MS21333-40 (96906)	A	EA	1	*	*	*	*	*	4	8	77	10
P-O	5340-740-9366	CLAMP: PARKING BRAKE CABLE (USE STRAP, FSN 5340-512-1948 WHEN STOCK IS EXHAUSTED) 7409366 (19207)	A	EA	2	*	*	*	*	*	4	8	77	11
P-O	5310-740-9365	NUT,SINGLE BALL SEAT: CABLE END 7409369 (19207)	A	EA	1	*	*	*	*	*	6	10	77	12
P-O	5310-732-0558	NUT,PLAIN,HEXAGON: CABLE END MS51967-8 (96906)	A	EA	1	*	*	*	*	*	6	10	77	13
P-O	2530-741-3485	BRACKET,CABLE CLAMP 7413485 (19207)	A	EA	1	*	*	*	*	*	3	5	77	14
P-O	2530-740-9365	CABLE: HAND BRAKE 7409365 (19207)	A	EA	1	*	*	*	*	*	6	8	77	15
P-O	2530-052-3687	PLATE,WEAR,PARKING: PARKING BRAKE CABLE 10883131 (19207)	A	EA	1	*	*	*	*	*	3	5	77	16
P-O	2530-052-3683	CLAMP,PARKING BRAKE: BRAKE CABLE 10883129 (96906)	A	EA	2	*	*	*	*	*	3	5	77	17
P-O	2530-033-6029	BRAKE DRUM: PARKING 7409367 (19207)	A	EA	1	*	*	*	*	*	6	20	78	1
P-O	2530-563-5531	BRACKET: BRAKE DRUM ASSEMBLY 7409363 (19207)	A	EA	1	*	*	*	*	*	3	5	78	2
P-O	5360-693-0615	SPRING,HELICAL EXTENSION: RETURN OUTER SHOE 7521284 (19207)	A	EA	1	*	*	*	*	*	6	10	78	3
P-O	5310-880-7745	NUT,PLAIN,HEXAGON: BRACKET MS51968-11 (96906)	A	EA	1	*	*	*	*	*	6	10	78	4
P-O	5305-206-0932	SCREW,SHOULDER: ADJUSTING SHOE 7064469 (19207)	A	EA	1	*	*	*	*	*	6	10	78	5
P-O	2530-312-1583	DEFLECTOR,DIRT AND OIL: COMPANION FLANGE 7409371 (19207)	A	EA	1	*	*	*	*	*	4	8	78	6
P-O	2920-734-6802	FLANGE ASSEMBLY,COMPANION: 7346802 (19207)	A	EA	1	*	*	*	*	*	3	5	78	7
P-O	5310-737-5259	WASHER,FLAT: COMPANION FLANGE 7375259 (19207)	A	EA	1	*	*	*	*	*	6	10	78	8
P-O	5310-492-9631	NUT,SLOTTED,HEXAGON: COMPANION FLANGE A143813 (76040)	A	EA	1	*	*	*	*	*	6	10	78	9

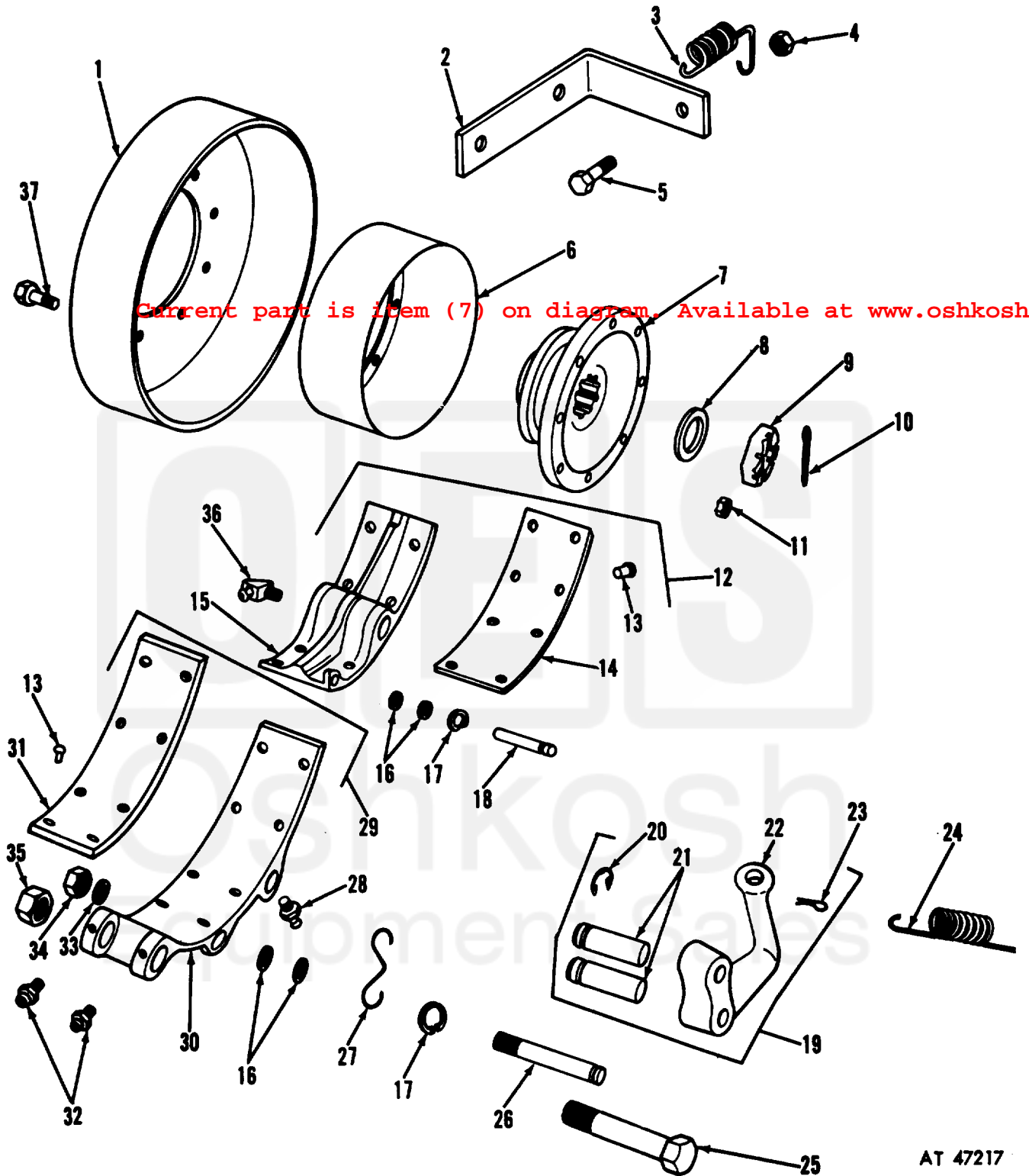


Figure 78. Parking brake drum and shoe.

AT 47217

Current part is item (7) on diagram. Available at www.oshkoshequip.com